

Data Sheet

Hard-Wired Floor Heating Controls

FH-WC Connection Box - 24 VAC output

Application



FH-WC is a wiring center for connecting up to 10 thermal actuators to the room thermostats. It is provided with two potential-free relays for controlling a circulation pump and a boiler. The relays are activated when one or more thermostats require heat.

FH-WC is connected to 230 VAC/50 Hz.


Mounting is made easy due to the symbols printed on the screw terminals.

FH-WC is a connection box for use in hydronic floor heating systems supplied from a manifold.

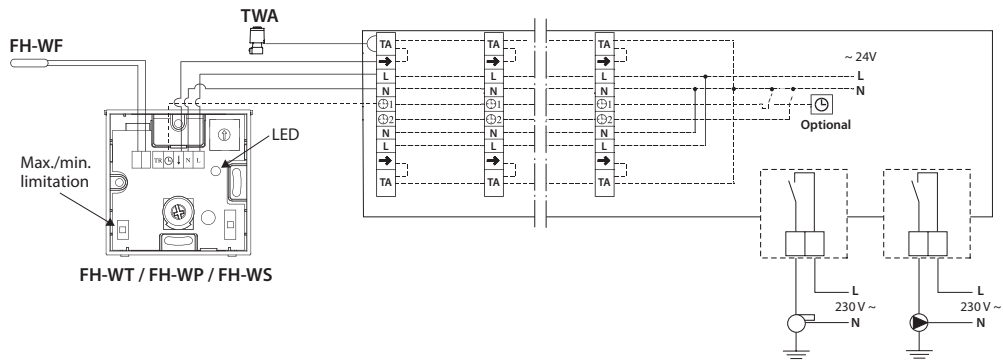
Ordering

Product	Type	Supply voltage	Output voltage	Actuator, type/no.	Code no.
Connection box with power cord and plug	FH-WC	230 VAC	24 VAC	NC/10	088H0017

Technical specifications

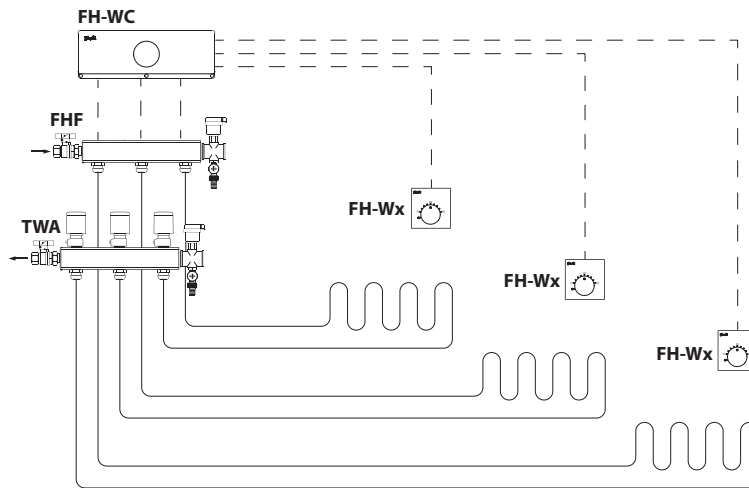
Power supply	230 VAC \pm 10%
Number of outputs	10
Output voltage	24 VAC
Max load per output	3 W (only 1 actuator per output)
Pump and boiler relay	Max. load 230 VAC (2A)
Ambient temperatur	0 - 50° C
Transport temperature	-20 - 60° C
IP class	22
ErP class	 (1%)
Mains cable	2 m
Weight	1.5 kg
Internal fuse	F 0.2 A

Connection Diagram

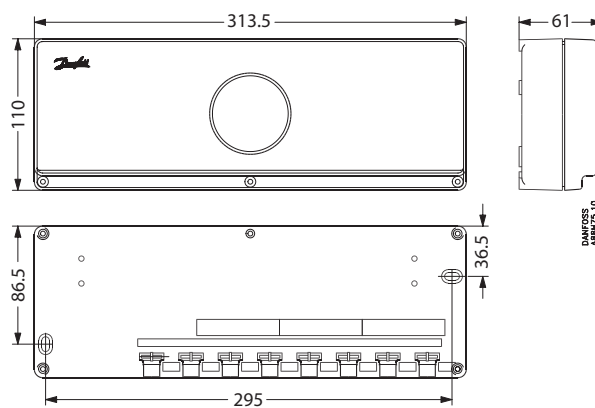


Connection of FH-WC to FH-WT/-WP/-WS 24 V room thermostats (see appropriate data sheet for further information).

System Layout



Dimensions



Danfoss A/S

Floor Heating Hydronics • Ulvehavevej 61 • DK-7100 Vejle • Denmark • Phone: +45 7488 8500 • Fax: +45 7488 8501
heating@danfoss.com • www.floorheating.danfoss.com

Danfoss can accept no responsibility for possible errors in catalogues, brochures and other printed material. Danfoss reserves the right to alter its products without notice. This also applies to products already on order provided that such alterations can be made without subsequential changes being necessary in specifications already agreed. All trademarks in this material are property of the respective companies. Danfoss and the Danfoss logotype are trademarks of Danfoss A/S. All rights reserved.