

Data Sheet

FTC Floor Heating Sensor

Application

FTC is used for flow temperature control of floor heating and radiator heating systems.

FTC is a self-acting thermostatic sensor, which can be combined with 2-way valve bodies, types RA-N and RA-C.

The water temperature is measured by a surface sensor, which is easily mounted on the pipe with a strip (enclosed with the product). The snap-lock connector of the sensor element secures a firm connection to the valve.



Features:

- Closes on rising sensor temperature.
- Temperature range: 15 to 50° C or 35 to 70° C.
- Valve can be mounted on flow or return pipe.
- Sized for pressure PN 10.

Ordering

Sensor type	Setting range	Capillary length	Max. ambient temp.	Code no.
FTC	35 - 70° C	0 - 2 m	65° C	013G5080
FTC	15 - 50° C	0 - 2 m	65° C	013G5081

Valve body	Connection		k _v s*	Code no.
	Inlet	Outlet		
RA-N 10, straight	G 3/8	R 3/8	0.65 m ³ /h	013G0032
RA-N 15, straight	G 1/2	R 1/2	0.90 m ³ /h	013G0034
RA-N 20, straight	G 3/4	R 3/4	1.40 m ³ /h	013G0036
RA-C 15, straight	G 3/4 A	G 3/4 A	1.20 m ³ /h	013G3094
RA-C 20, straight	G 1 A	G 1 A	3.30 m ³ /h	013G3096

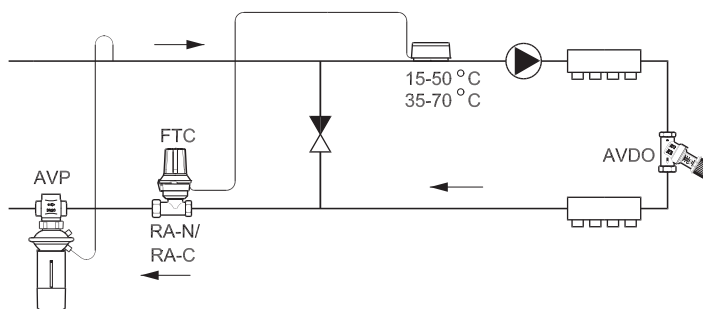
* k_v-value stated at setting N. Xp between 2 K and 8 K.

Technical Specifications

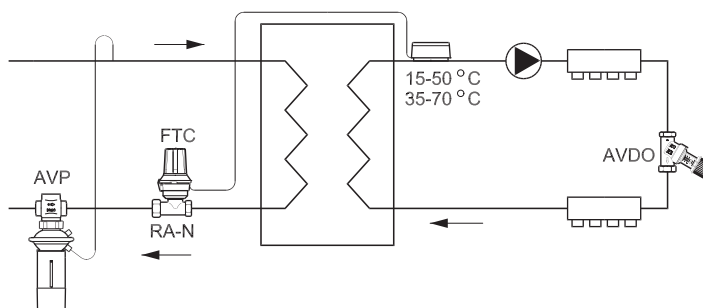
FTC with valve body	k _v m ³ /h* at a P-band of K				Max. pressure			Max. temperature	
	2	4	6	8	PN	Δp	Test	Flow	Ambient
RA-N 10	0.18	0.34	0.46	0.56	10 bar	0.6 bar	16 bar	120° C	65° C
RA-N 15	0.22	0.44	0.62	0.73					
RA-N 20	0.32	0.62	0.88	1.04					
RA-C 15	0.40	0.71	0.90	1.03					
RA-C 20	1.06	1.94	2.45	2.75					

* k_v-value stated at setting N. Xp between 2 K and 8 K.

System Principles

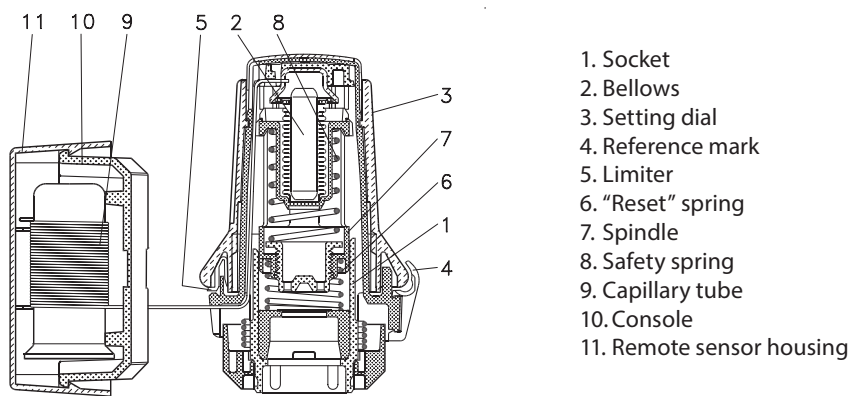


Floor Heating System

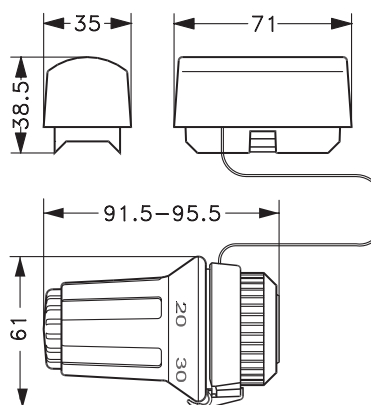


Heat Exchanger in Radiator Heating or Floor Heating System

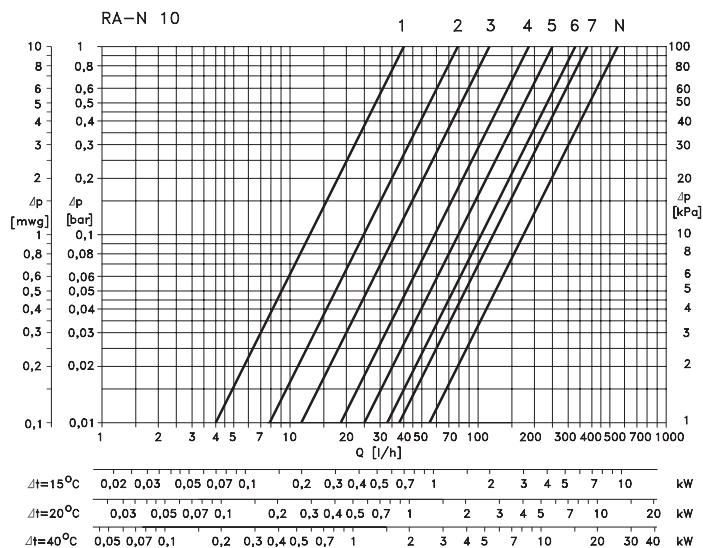
Design



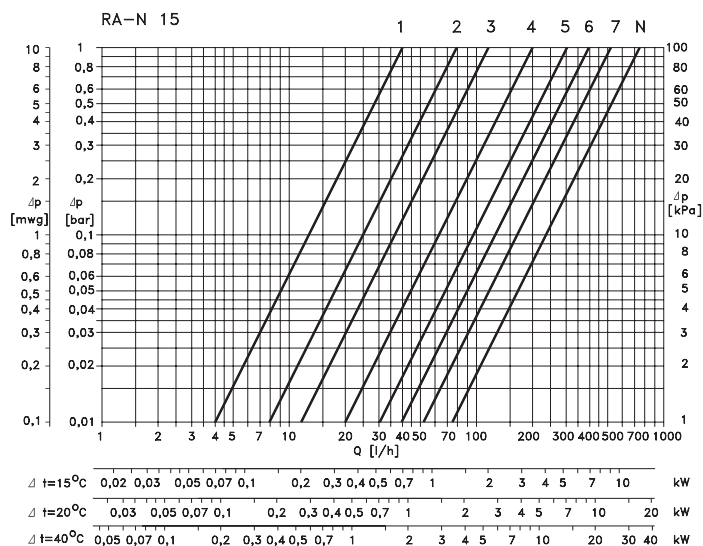
Dimensions



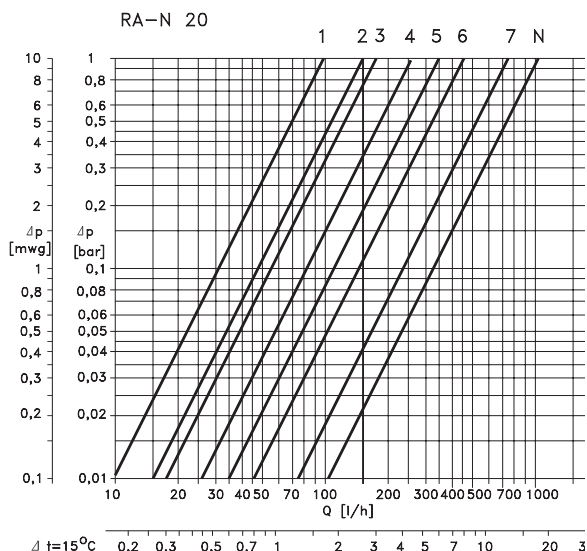
Capacity,
FTC with RA-N



FTC sensor with RA-N 10 valve

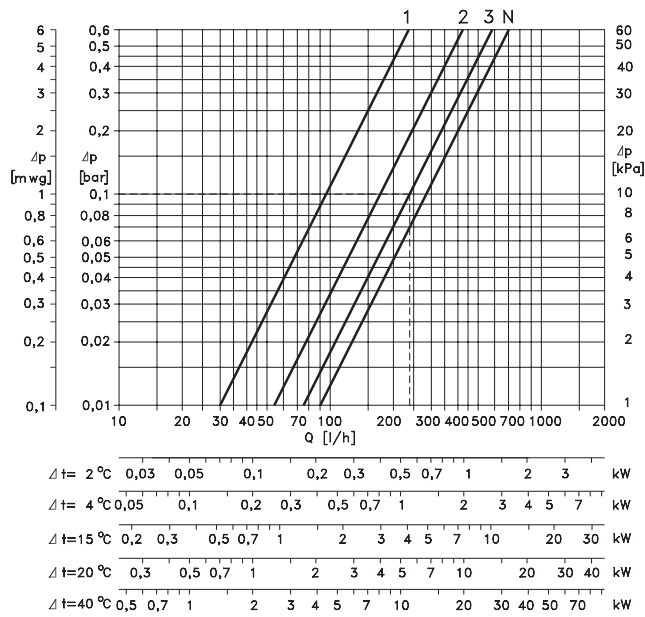


FTC sensor with RA-N 15 valve

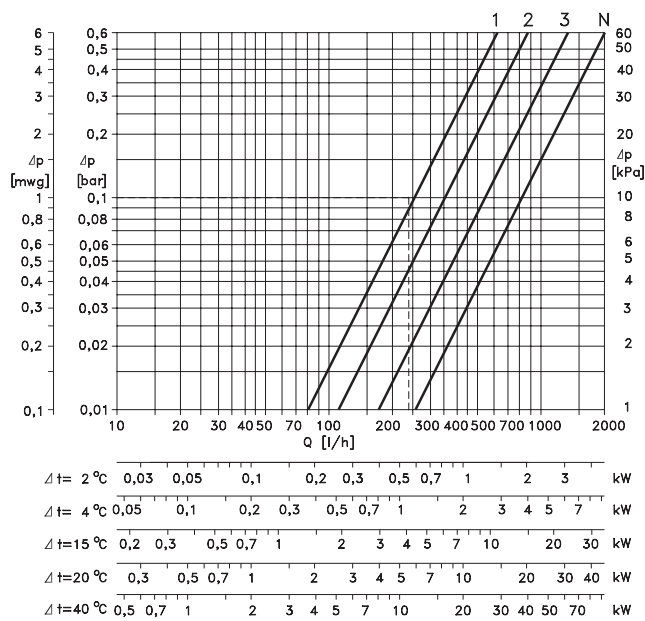


FTC sensor with RA-N 20 valve

Capacity,
FTC with RA-C



FTC sensor with RA-C 15 valve



FTC sensor with RA-C 20 valve