

Electronic controller | ECL Comfort 110

## Easy heating control and quick installation

# Saves

energy and allows  
you to get optimum  
control of the  
heating system.



[www.district-heating.danfoss.com](http://www.district-heating.danfoss.com)

Now it is even easier to get optimum control in all types of heating systems. ECL Comfort 110 is an electronic controller for optimum control of the heating system depending on the outdoor temperature.

### Benefits:

#### Installation as you would like it

- Click on - quick and easy mounting and commissioning
- The factory settings ensure an easy start up
- Interacts perfectly also with floor heating systems

#### Service as you could think of

- Easy diagnostics
- Manual override (control)
- Measured and calculated temperature values are shown in the display

#### Flexible user interface

- Display with backlight and clear menu texts and icons
- Easy operation with menu texts in multiple languages
- Extended possibility for settings via room/remote panel

#### Sustainable as to environment and energy saving

- Weather compensated temperature control
- Effective as to total costs
- Time control with optimized comfort periods
- Return temperature limitation (district heating/block heating)
- Each degree reduced indoor temperature cuts the energy costs with approx. 5 %
- The controller interacts with Danfoss thermostatic radiator valves
- Ramping up the flow temperature after a set back period (district heating/block heating)



# ECL Comfort 110

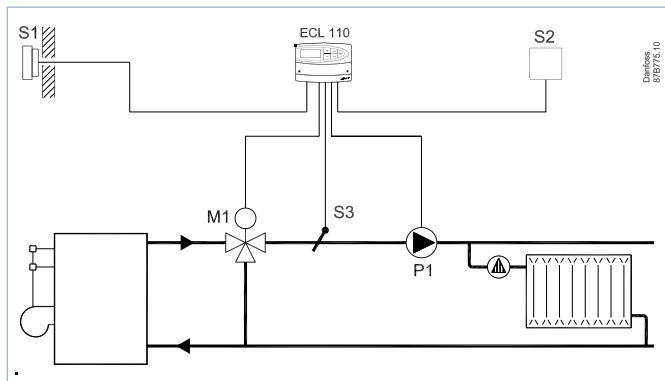
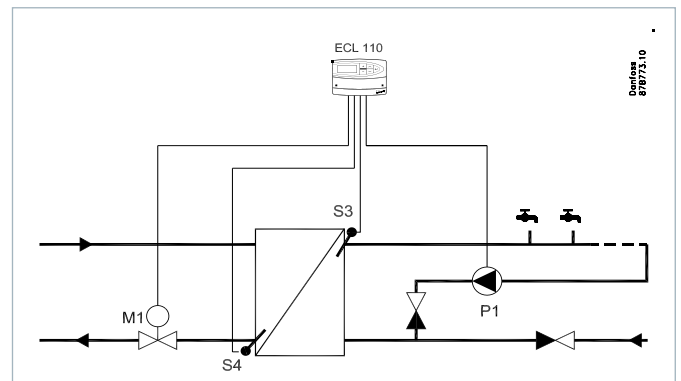
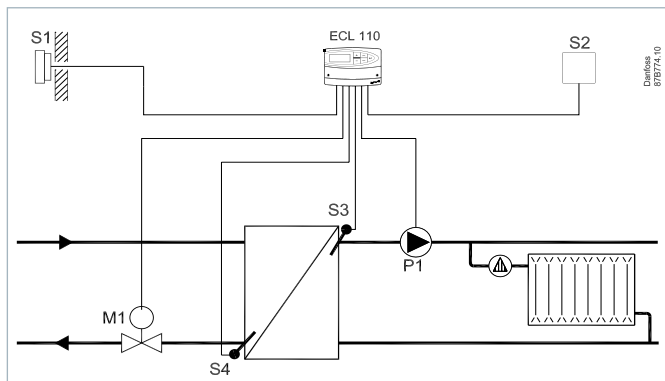
## Features

- The ECL Comfort 110 is a controller for weather compensation of the flow temperature in directly or indirectly connected district heating systems, local block heating networks, boiler based heating and domestic hot water systems.
- The ECL Comfort 110 controller has a 3-point output for motorized control valves and relay output for pump control. The enclosure is designed for mounting in substations and for wall mounting.
- In addition to the flow temperature sensor, it is possible to connect an outdoor temperature sensor as well as room and return temperature sensors. The outdoor sensor enables weather compensation, and with the room sensor, reference room control function is obtainable.
- With integrated time program an automatic setback temperature is obtainable. During setback temperature operation, the room/flow temperature is lowered according to the outdoor temperature or kept at a fixed reduced value.
- The heating circuit is frost protected by the flow temperature during stand-by. The circulation pump is switched on when there is a heating demand and for frost protection. During off-periods the pump is exercised frequently.
- The room panel ECA 60/61 can be connected to the system device bus.

## Technical data

<b>Supply Voltage</b>	230 V a.c. or 24 V a.c.	<b>Max. load on 3-point output</b>	15 VA
<b>Grade of enclosure</b>	IP 41 - DIN 40050	<b>Ambient temperature</b>	0 - 55 °C
<b>Max. load on relay output</b>	4(2) A - 230 V a.c.	<b>Sensor type</b>	Pt 1000 (1000 ohm at 0 °C)

## Applications



Danfoss A/S · DK-6430 Nordborg · Denmark · Tel.: +45 74 88 22 22 · Fax: +45 74 49 03 95

E-mail: [districtenergy@danfoss.com](mailto:districtenergy@danfoss.com) · [www.district-heating.danfoss.com](http://www.district-heating.danfoss.com)

Danfoss can accept no responsibility for possible errors in catalogues, brochures and other printed material. Danfoss reserves the right to alter its products without notice. This also applies to products already on order provided that such alterations can be made without subsequential changes being necessary in specifications already agreed. All trademarks in this material are property of the respective companies. Danfoss and the Danfoss logotype are trademarks of Danfoss A/S. All rights reserved.