

Electronic controller | ECL Comfort 110

Save on your heating bill and achieve **better comfort**

11-15%

energy savings - or more! A correct commissioned ECL Comfort controller optimizes system efficiency.

www.district-heating.danfoss.com

Keep your heating system in top condition with a Danfoss ECL Comfort 110 controller.

Intelligent control provides advantages

The electronic controller ECL Comfort 110 adjusts the flow temperature to the radiators or floor heating in your heating system according to the actual outdoor temperature. This weather compensation functionality saves energy and gives high comfort, since the temperature is controlled according to the demand. By means of a built-in timer you can automatically set the room temperature back during night time or during weekends/holidays. When there is no heat demand the circulation pump is switched off.

Energy savings of 11-15%

In a 2010 study, it is documented that one-family houses can achieve an average energy saving of 11-15% with weather compensation - and in some cases up to 40%.

An ECL Comfort controller is not only good for your comfort, but also for your economy.

Easy to operate

The user friendly display with menu texts in many local languages makes it easy to operate the controller. Once the ECL Comfort 110 controller is adjusted according to the heating system, it will provide maximum energy savings and comfort. It is possible to connect a room panel with display to the controller in order to obtain extended operation possibilities.



ECL Comfort 110

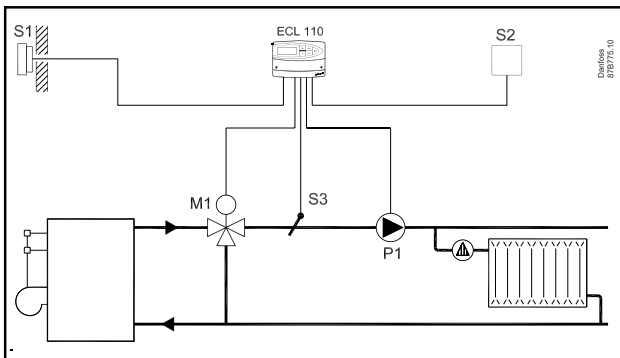
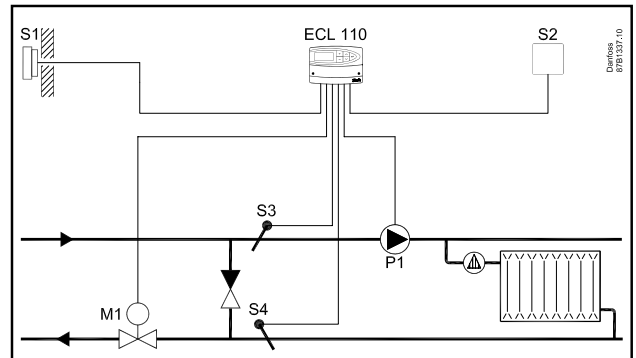
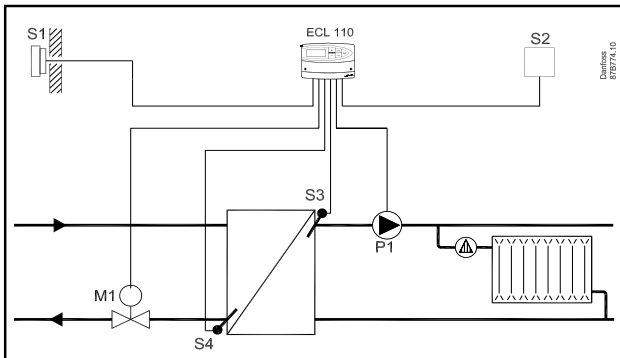
Features

- The ECL Comfort 110 is a controller for weather compensation of the flow temperature in directly or indirectly connected district heating systems, local block heating networks, boiler based heating and domestic hot water systems.
- The ECL Comfort 110 controller has a 3-point output for motorized control valves and relay output for pump control.
- The enclosure is designed for mounting in substations and for wall mounting.
- In addition to the flow temperature sensor it is possible to connect an outdoor temperature sensor as well as room and return temperature sensors. The outdoor sensor enables weather compensation, and with the room sensor, reference room control function is obtainable.
- With integrated time program an automatic setback temperature is obtainable. During setback temperature operation, the room/flow temperature is lowered according to the outdoor temperature or kept at a fixed reduced value.
- The heating circuit is frost protected by the flow temperature during stand-by. The circulation pump is switched on when there is a heating demand and for frost protection. During off-periods the pump is exercised frequently.
- The relevant parameters for correct control of the motorized control valve can easily be set.
- The room panel ECA61 is connected to the system device bus.

Technical data

Supply Voltage	230 V a.c. or 24 V a.c.	Max. load on 3-point output	15 VA
Grade of enclosure	IP 41	Ambient temperature	0 - 55 °C
Max. load on relay output	4(2) A - 230 V a.c.	Sensor type	Pt 1000 (1000 ohm at 0 °C)

Applications



Danfoss A/S · DK-6430 Nordborg · Denmark · Tel.: +45 74 88 22 22 · Fax: +45 74 49 03 95

E-mail: districtenergy@danfoss.com · www.district-heating.danfoss.com

Danfoss can accept no responsibility for possible errors in catalogues, brochures and other printed material. Danfoss reserves the right to alter its products without notice. This also applies to products already on order provided that such alterations can be made without subsequential changes being necessary in specifications already agreed. All trademarks in this material are property of the respective companies. Danfoss and the Danfoss logotype are trademarks of Danfoss A/S. All rights reserved.