

Data sheet

Safety thermostat ST-1/ST-2

Application



Safety thermostats ST-1 and ST-2 can be used in directly or indirectly connected district heating systems where extra safety is required.

ST-1 incorporates a thermostat (TR) and a safety monitor (STW) with automatic reset.

ST-2 incorporates a thermostat (TR) with automatic reset and a safety limit cutout (STB) with manual reset.

If ST-1 or ST-2 is used together with an AMV(E) 13, 23, or 33 three-point controlled actuator, the safety monitor (STW) or safety limit cutout (STB) releases the spring return function for forced closure of the motorized control valve.

The safety thermostats are approved in accordance with DIN 3440 with the following DIN Register Nos.:
ST-1: TR STW 1175 05
ST-2: TR STB 1176 05

Ordering

Type	Setting			Code no.
	TR	STW	STB	
ST-1 (TR/STW)	30 - 120 °C	100 - 120 °C	-	087N1050
ST-2 (TR/STB)	30 - 90 °C	-	95 °C	087N1051

Accessory

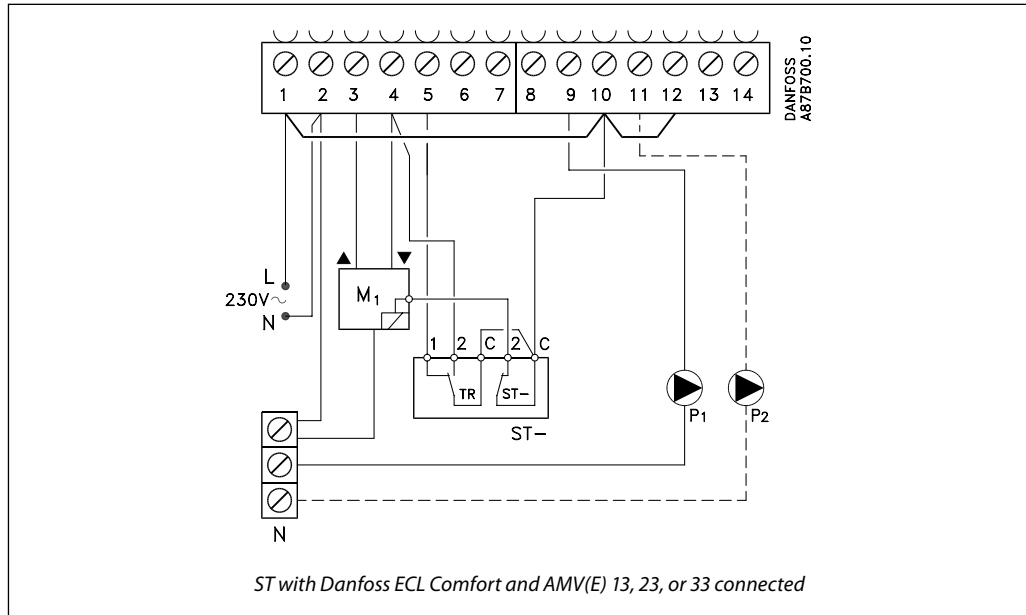
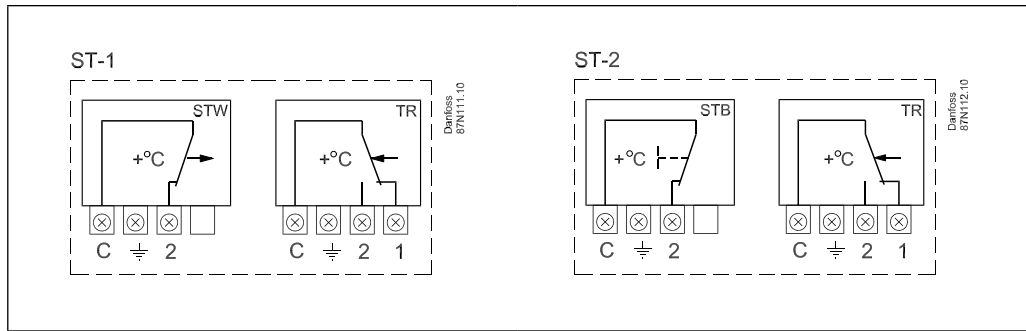
Sensor pocket (Cu/Ms) for ST1 / ST2	087N1201
-------------------------------------	-----------------

Technical data

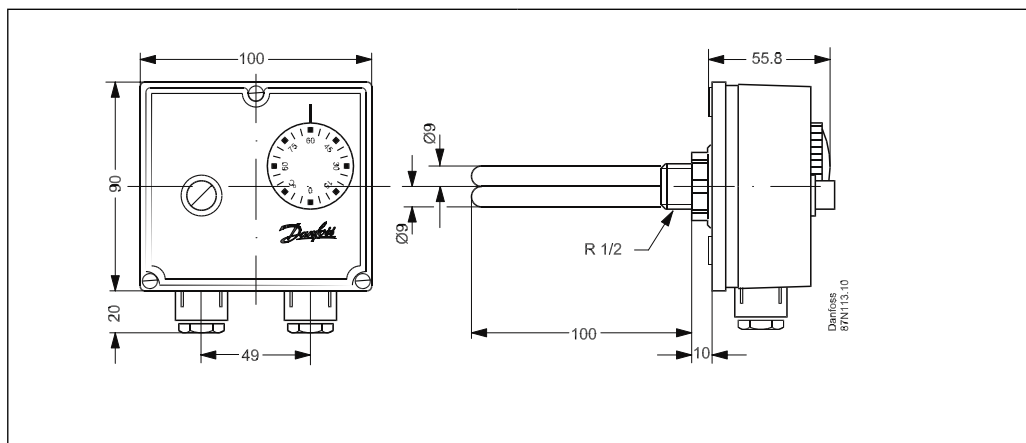
ST-1	TR	STW	ST-2	TR	STB
Setting	30 - 120 °C	100 - 120 °C	Setting	30 - 90 °C	95 °C
Differential	4 ± 1 K	12 ± 3 K	Differential	4 ± 1 K	12 ± 3 K
Reset	Auto	Auto	Reset	Auto	Manual

Contacts	Ag 1000/1000
Contact loads	10 (2.5) A 250 V ~ / 7 A 380 V ~
Max. ambient temperature	80 °C
Max. sensor temperature	130 °C
Cut-out accuracy	+0 K - -6 K
Enclosure	IP 40
Mounting direction	No restrictions
Sensor connection	R ½
Cable entry	M 20
Pressure stage	PN 10
Medium	Water, pH 7 - 10
Sensor	2 off Ø 9 x 100
Sensor pockets (takes both sensors)	Brass Ms 58/copper
Storage and transport temperature	-15 °C - +80 °C
Approvals	DIN 3440 and VDE 0631

Electrical connections



Dimensions



Danfoss can accept no responsibility for possible errors in catalogues, brochures and other printed material. Danfoss reserves the right to alter its products without notice. This also applies to products already on order provided that such alterations can be made without consequential changes being necessary in specifications already agreed. All trademarks in this material are property of the respective companies. Danfoss and the Danfoss logotype are trademarks of Danfoss A/S. All rights reserved.

