

Data sheet

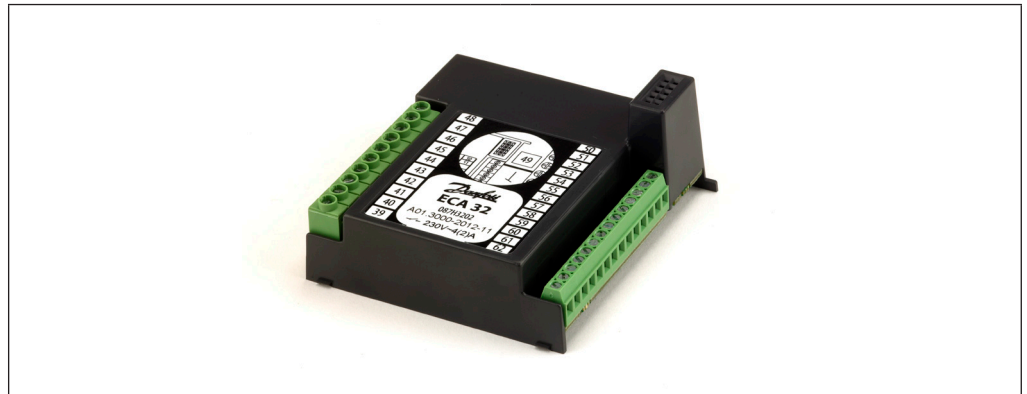
# ECA 32

## Input / output extension module for ECL Comfort 310 / 310B

Designed in Denmark

### Description

ECA 32



The ECA 32 module extends the ECL Comfort 310 / 310B with a number of inputs and outputs.

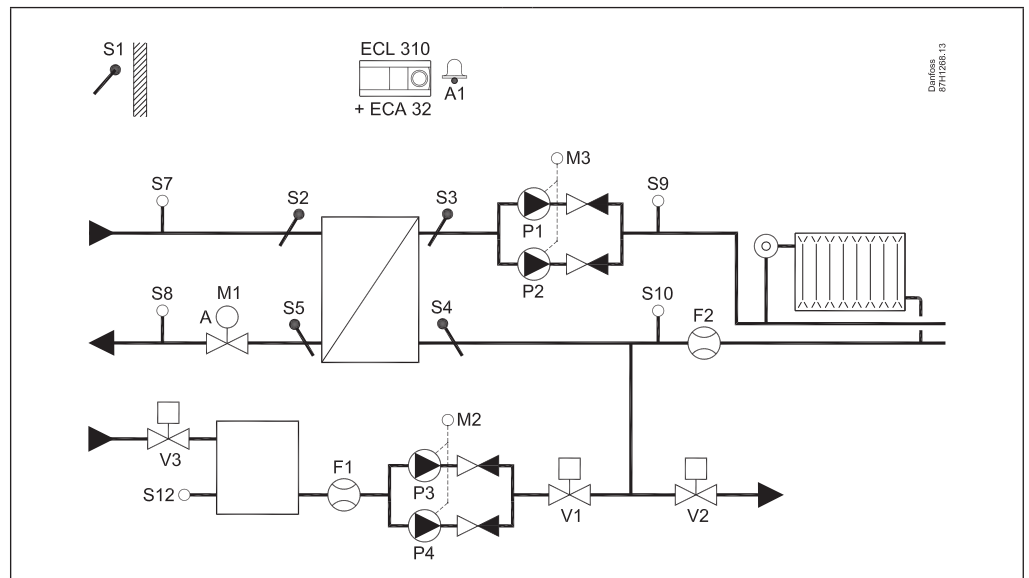
The connection between the ECL Comfort 310 / 310B and ECA 32 is a 10-pole (2 x 5) connector.

ECA 32 is used in ECL Comfort 310 related applications where the demand for extra inputs / outputs is present.

The connection is automatically established when the ECL Comfort 310 / 310B is placed on the base part.

ECA 32 is to be placed in the base part for ECL Comfort 310 / 310B.

### Application example



M1, M2, M3 and V3 are controlled via ECA 32  
S12, F1 and F2 are inputs via ECA 32

The shown diagram is a fundamental example and does not contain all components that are necessary in a system.

All named components are connected to the ECL Comfort controller / ECA 32.

**Ordering**

Type	Designation	Code no.
ECA 32	Internal module for ECL Comfort 310 / 310B. Mounting guide (no text) is included	087H3202
Base part for ECL Comfort 310 / 310B (space for ECA 32)	For mounting on wall or DIN rail (35 mm). Mounting guide (no text) and cable inlet accessories are included.	087H3230

**Operation**

ECA 32 is controlled from ECL Comfort 310 / 310B.

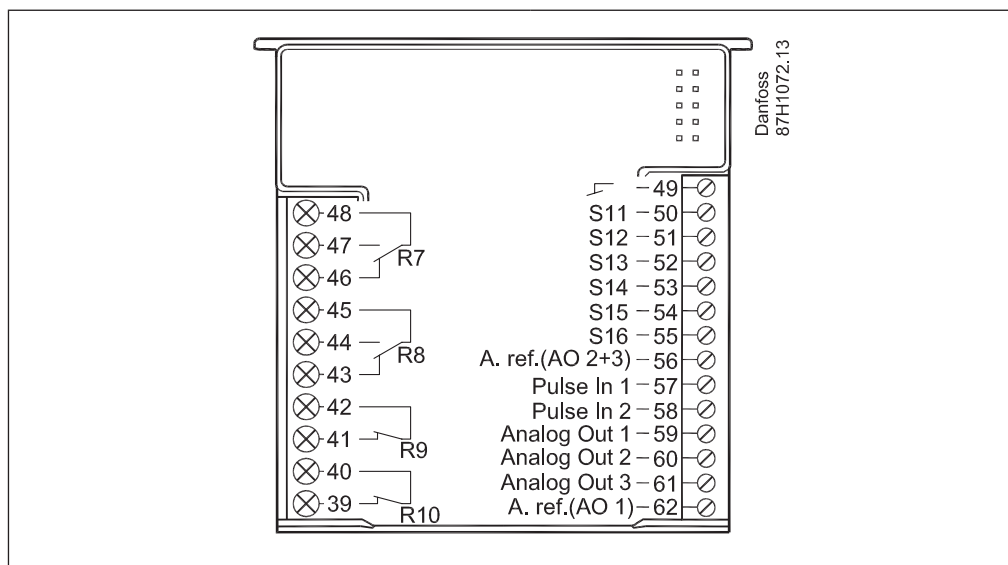
**Communication**

ECA 32 has a 10-pole female connector which automatically connects to the ECL Comfort 310 / 310B.

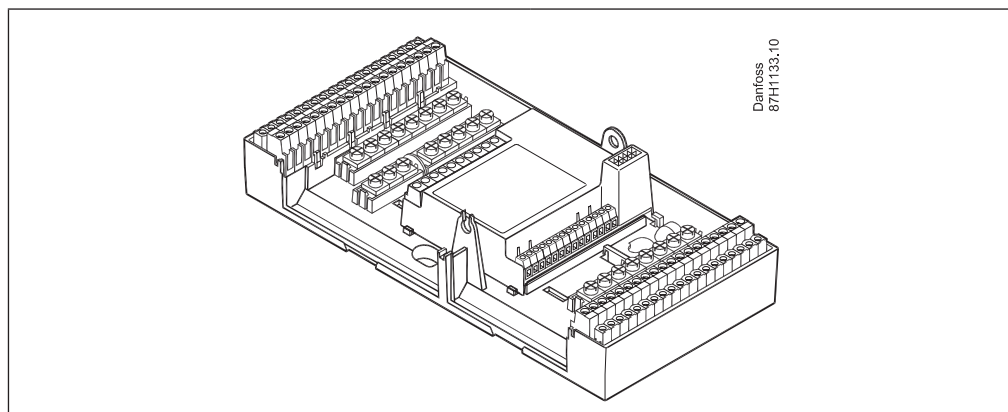
**General data**

Ambient temperature	0 - 55 °C
Storage and transportation temperature	-40 - 70 °C
Mounting	In ECL Comfort 310's base part
Number of inputs	6
Input types	Each input is configured at application upload as Pt 1000, 0-10 V or digital input
Number of relays	2 x SPST 2 x SPDT
Max. load on relay outputs	4 (2) A (4 A for ohmic load, 2 A for inductive load)
Number of pulse counter inputs	2
Max. frequency of pulse counter input	200 Hz
Number of analogue outputs (0-10 V)	3
Max. load on analogue output	2 mA each (min. resistance 5 KΩ)
Compatibility with ECL Comfort 310 / 310B	From version 1.20 and up

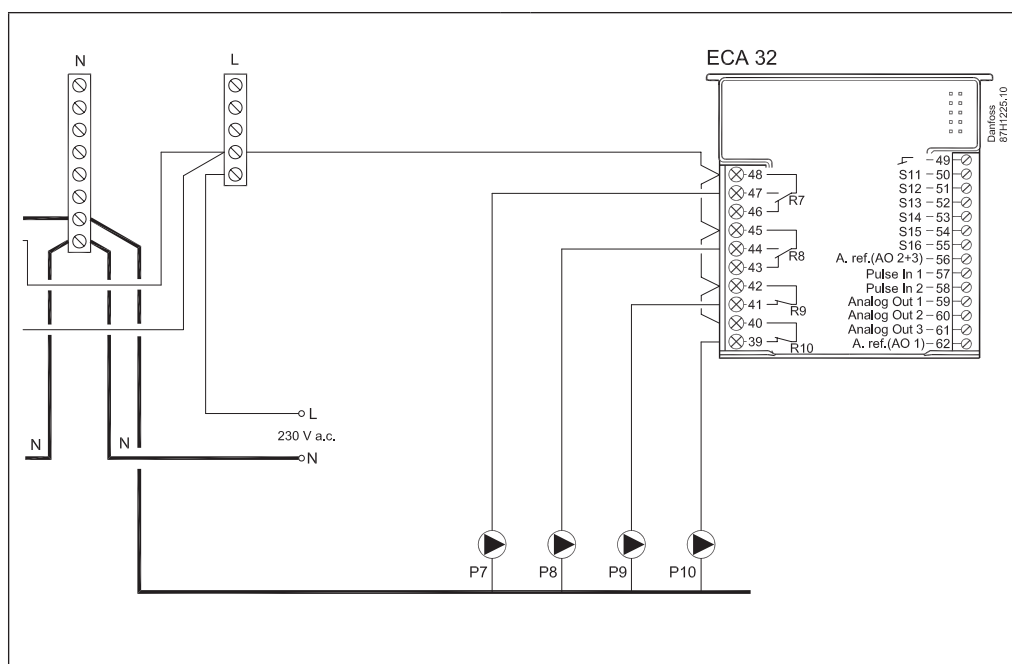
**Connection terminals**



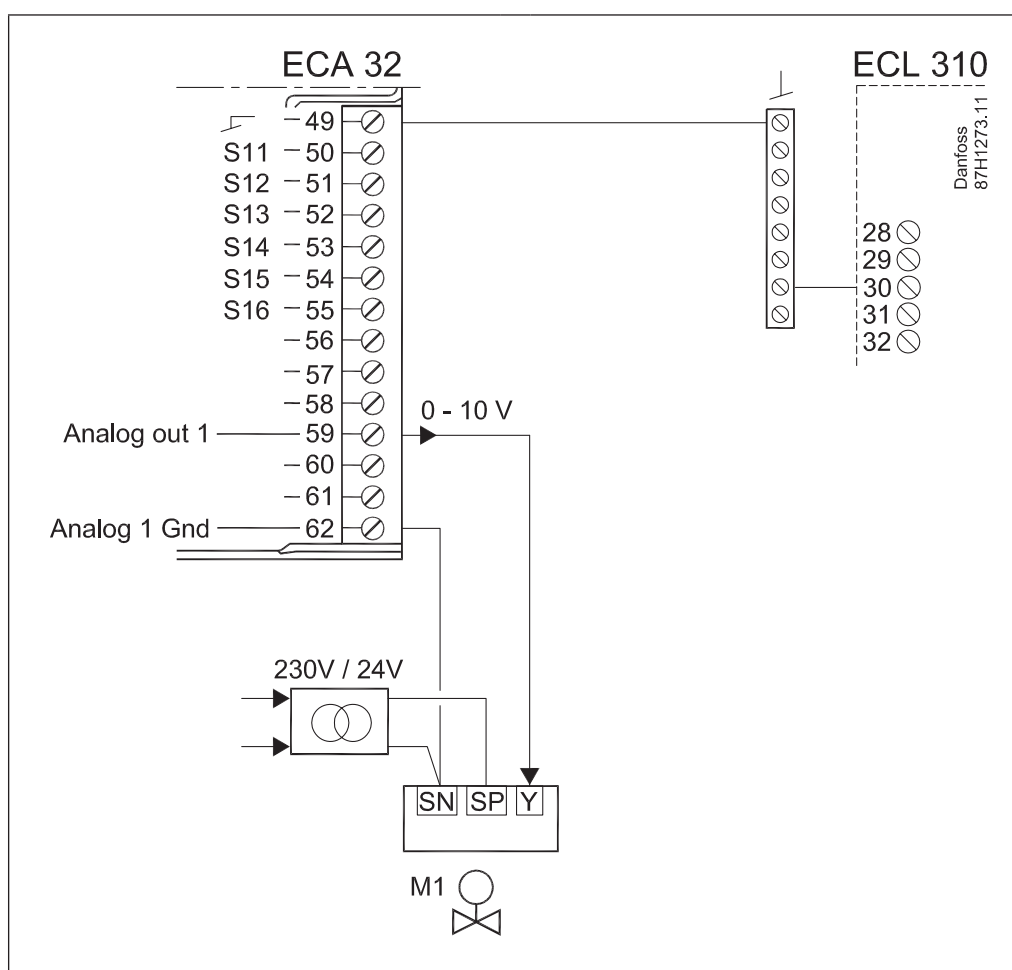
**Position in base part**



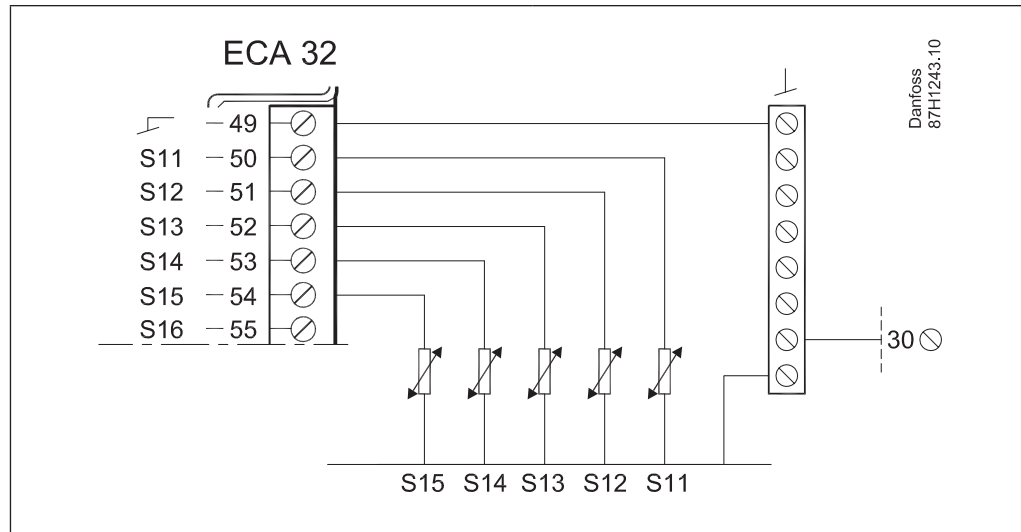
**Wiring example,  
relay outputs**



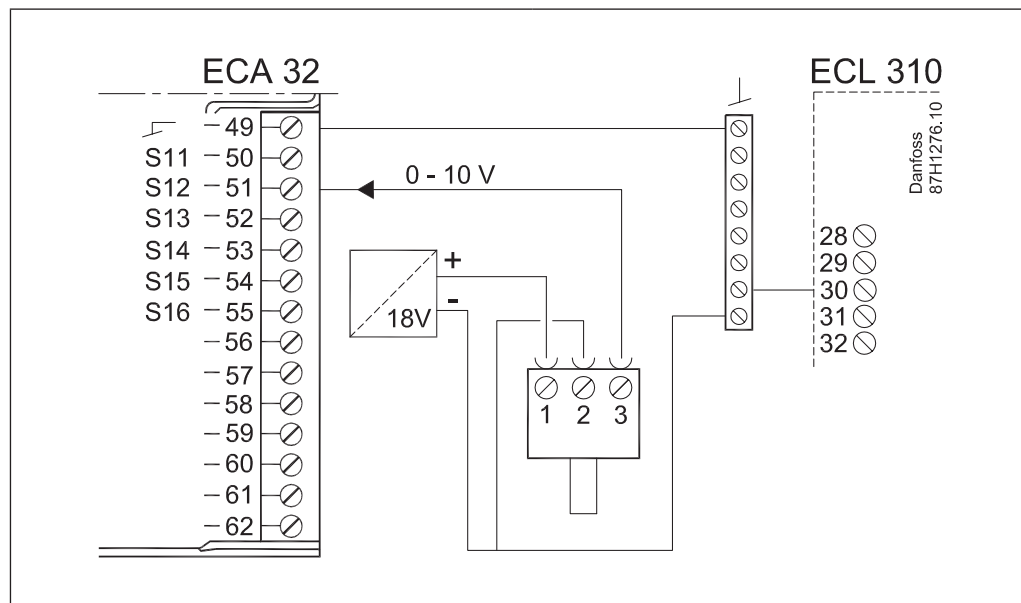
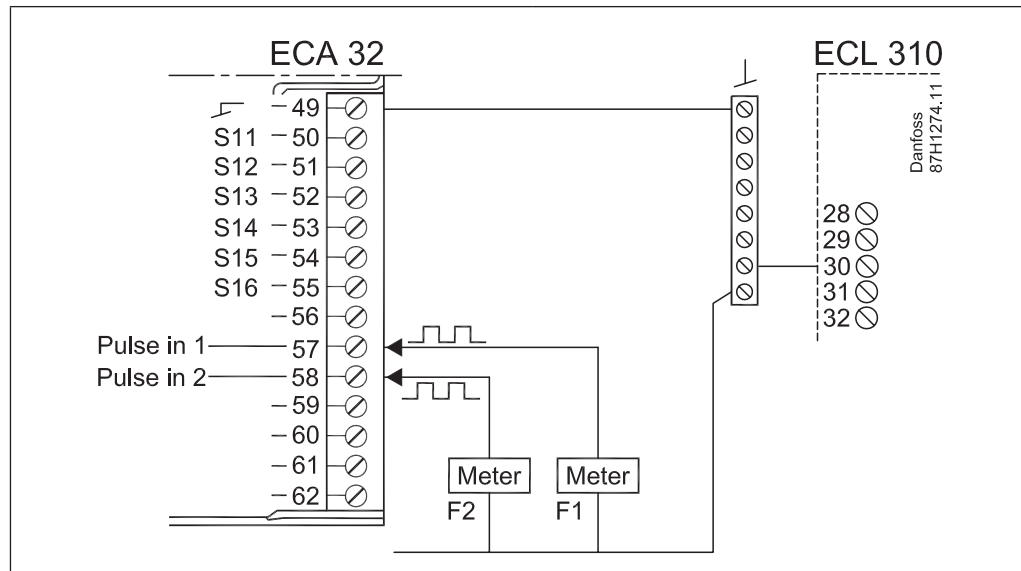
**Wiring example,  
0 - 10 V output**



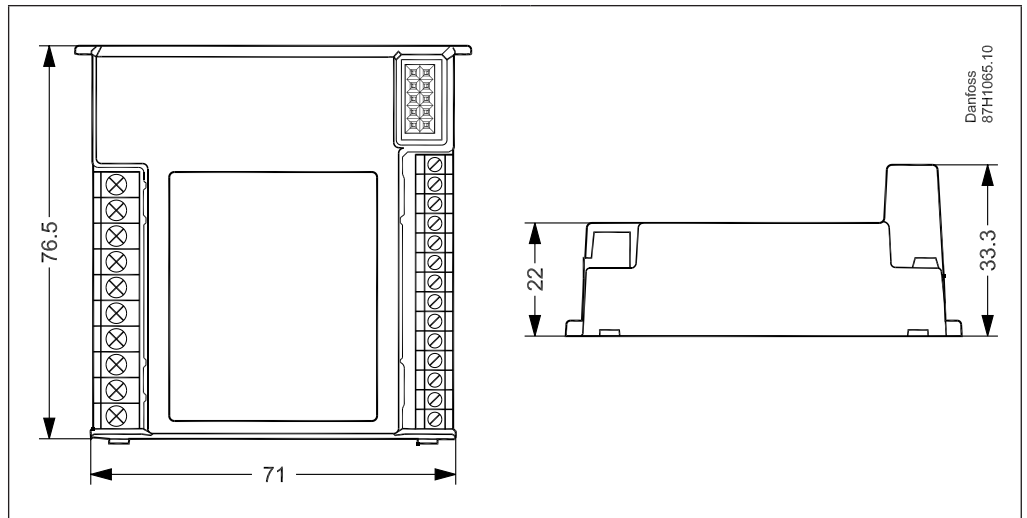
Wiring example, Pt 1000 temperature sensor inputs



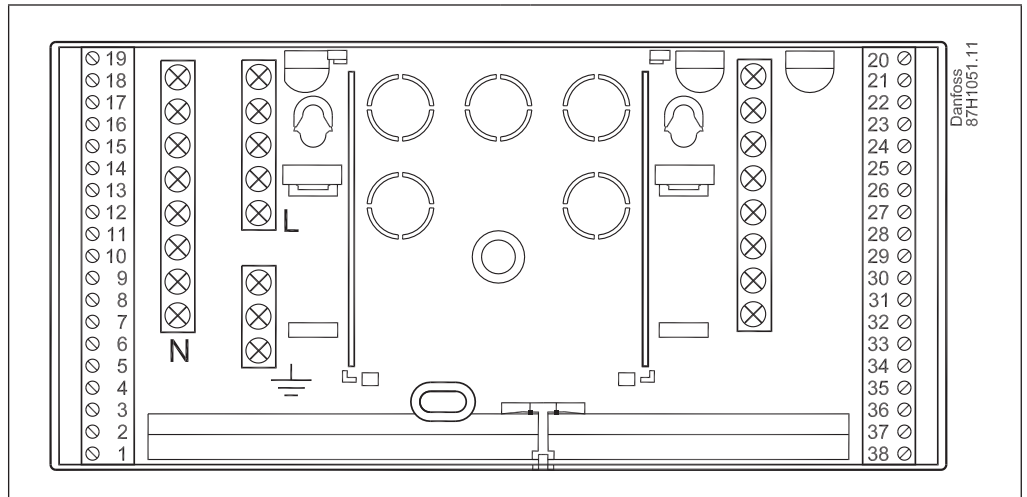
Wiring example, pulse inputs / pressure transmitter



Dimensions (in mm)



ECA 32



L = 210, W = 100

Base part for ECL Comfort 310







Additional documentation for ECL Comfort controllers, modules and accessories is available on <http://heating.danfoss.com/>

**Danfoss A/S**

Heating Segment • [heating.danfoss.com](http://heating.danfoss.com) • +45 7488 2222 • E-Mail: [heating@danfoss.com](mailto:heating@danfoss.com)

---

Danfoss can accept no responsibility for possible errors in catalogues, brochures and other printed material. Danfoss reserves the right to alter its products without notice. This also applies to products already on order provided that such alterations can be made without subsequential changes being necessary in specifications already agreed. All trademarks in this material are property of the respective companies. Danfoss and all Danfoss logotypes are trademarks of Danfoss A/S. All rights reserved.

---