

Data sheet

Butterfly valves with hand lever

VFY-WH, VFY-LH

Description



Features:

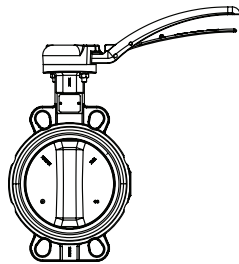
- Spline driven one piece shaft connected to spherically machined disc allows high torque transmission i.e. quick response and minimum back-lash
- Long term reliability due to upper and lower anti-friction bearings
- Safe maintenance : shaft blow out protection with circlip
- Padlockable hand lever with 10 positions.

Main Data:

- DN 25 (32)-300
- k_{VS} 40 (62)-5635 m³/h
- PN 16 (10)
- EPDM Liner
- Stainless steel or Epoxy coated disc
- Medium:
 - Circulation water, drinking water or chilled glycolic water up to 50 %
- Medium temperature:
 - 10 ... 120 °C (PA disc)
 - 10 ... 130 °C (SS disc)
- Wafer or Lug connection
- Approvals: **CE EAC**

Ordering

Wafer type **VFY-WH**



DN	k_{VS} (m ³ /h)	PN	T_{max} (°C)	Disc	Code No.
25	40	10	130	Stainless Steel	065B7350
32/40	62	16			065B7351
50	79				065B7410
65	174				065B7411
80	275				065B7412
100	496				065B7413
125	883				065B7414
150	1212				065B7415
200	2500				065B7416
250	3948				065B7337
300	5635		065B7338	120	Epoxy Coating
50	79	16	065B8401		
65	174		065B8402		
80	275		065B8403		
100	496		065B8404		
125	883		065B8405		
150	1212		065B8406		
200	2500		065B8407		
250	3948		065B8408		
300	5635				

Ordering

Lug type **VFY-LH**

	DN	k_{vs} (m ³ /h)	PN	T _{max} (°C)	Disc	Code No.
	32	62	16	130	Stainless Steel	065B7365
	40	62				065B7366
	50	79				065B7420
	65	174				065B7421
	80	275				065B7422
	100	496				065B7423
	125	883				065B7424
	150	1212				065B7425
	200	2500				065B7436
	250	3948				065B7437
	300	5635	065B7438			
	50	79	16	120	Epoxy Coating	065B8410
	65	174				065B8411
	80	275				065B8412
	100	496				065B8413
	125	883				065B8414
	150	1212				065B8415
	200	2500				065B8416
	250	3948				065B8417
300	5635	065B8418				

Spare parts

Note:
Please contact Danfoss sales to align on details before ordering spare parts.

Replacement Liner **VFY-W Liner**

DN	PN	Liner	Code No.
25	16	EPDM	065B7580
32/40			065B7581
50			065B7582
65			065B7583
80			065B7584
100			065B7585
125			065B7578
150			065B7579
200			065B7592
250			065B7593
300			065B7594
350			065B7591

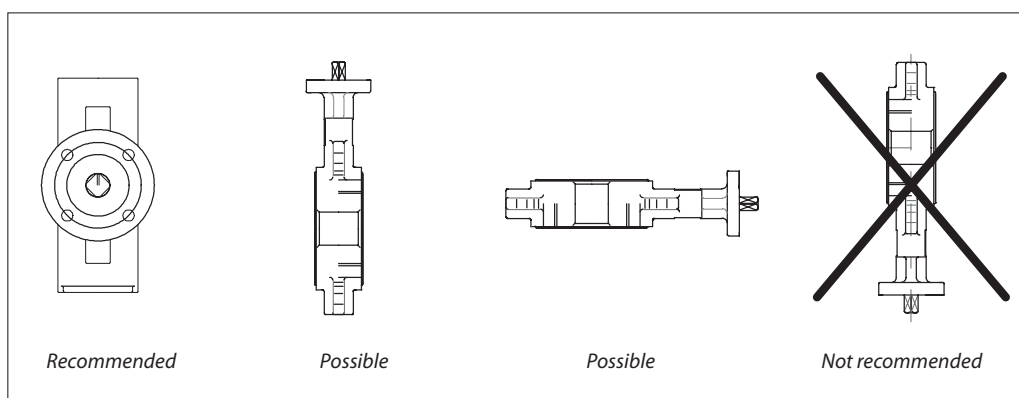
Replacement Hand lever **VFY-Handle**

for DN	Code No.
25/32/40/50/65/80/100	065B7605
125/150/200	065B7606
250	065B7608
300	065B7609

Technical data

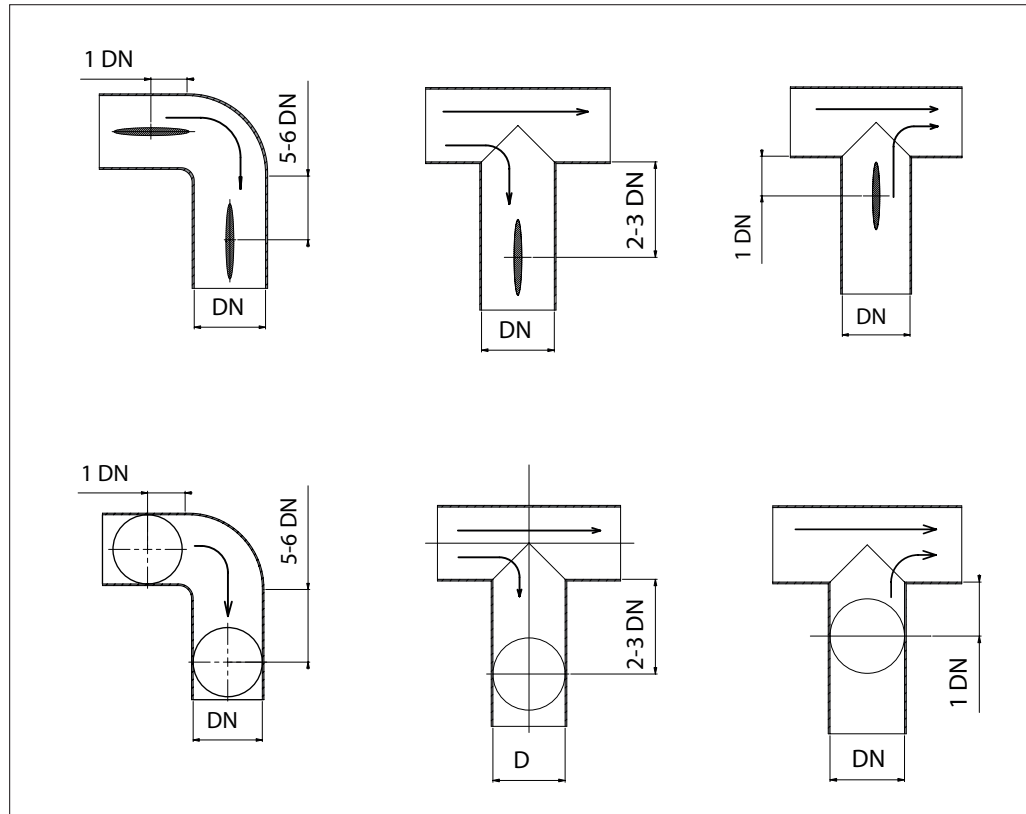
Type		VFY-WH	VFY-LH
Nominal diameter	DN	25-300	32-300
k_{vs} value	m ³ /h	40-5635	62-5635
Rotation angle		90°	
Leakage rate		Acc. to PED 2014/68/EU, EN 12266-1, Rate A ¹⁾	
Nominal pressure	PN	16 (from DN 32-300) / 10 (for DN 25)	16
Medium		Circulation water, Glycolyc water up to 50 % or drinking water	
Medium temp.	PA disc	-10 ... 120 (see p-T diagram)	
	SS disc	-10 ... 130 (see p-T diagram)	
Connection		Wafer (centering lugs)	Lug (tapped lugs)
Mounting		Mounting between flanges	Mounting between flanges or mounting deadline
Material			
Body		Cast iron EN GJL 250 (DIN GG25)	Cast iron EN GJL 250 (DIN GG25) DN 32-150 Ductile iron (DIN GGG40) DN 200-300
Disc		Ductile iron EN GJS 400-15 (DIN GGG 40) with Epoxy coating or Stainless Steel	
Shaft		Stainless steel AISI 420	
Liner		EPDM	
Circlip		Steel XC 75 / Stainless steel	
O-ring		Nitrile/Viton	
Upper guide bush		Zinc coated S. + PTFE	
Lower guide bush		Zinc coated S. + PTFE	
Cap		EN GJS-400-15/EN GJL-250	
Hand lever		EN GJS-400-15	

¹⁾ No visible detectable leakage during the testing procedure

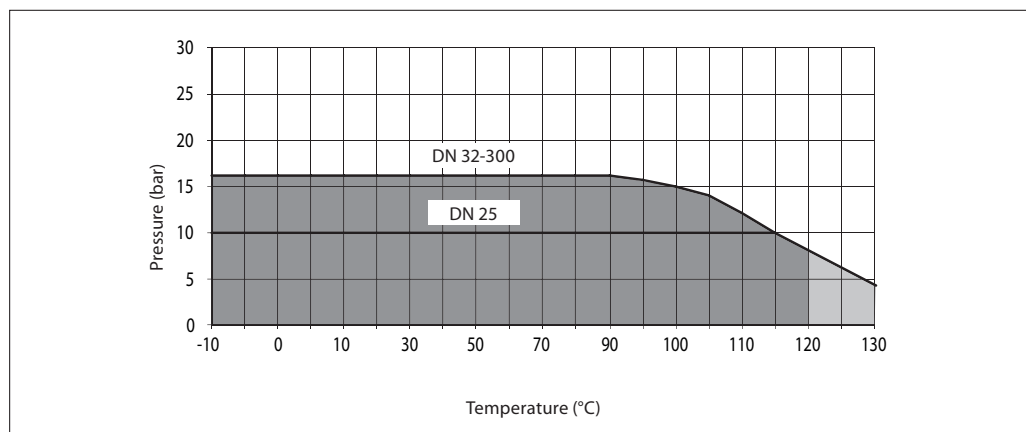
Installation positions


Installation conditions

It is recommended that distances indicated below are respected in order to prolong lifetime of the valve. Mounting the valve close to pipework junctions (turbulent zones) increases wear.

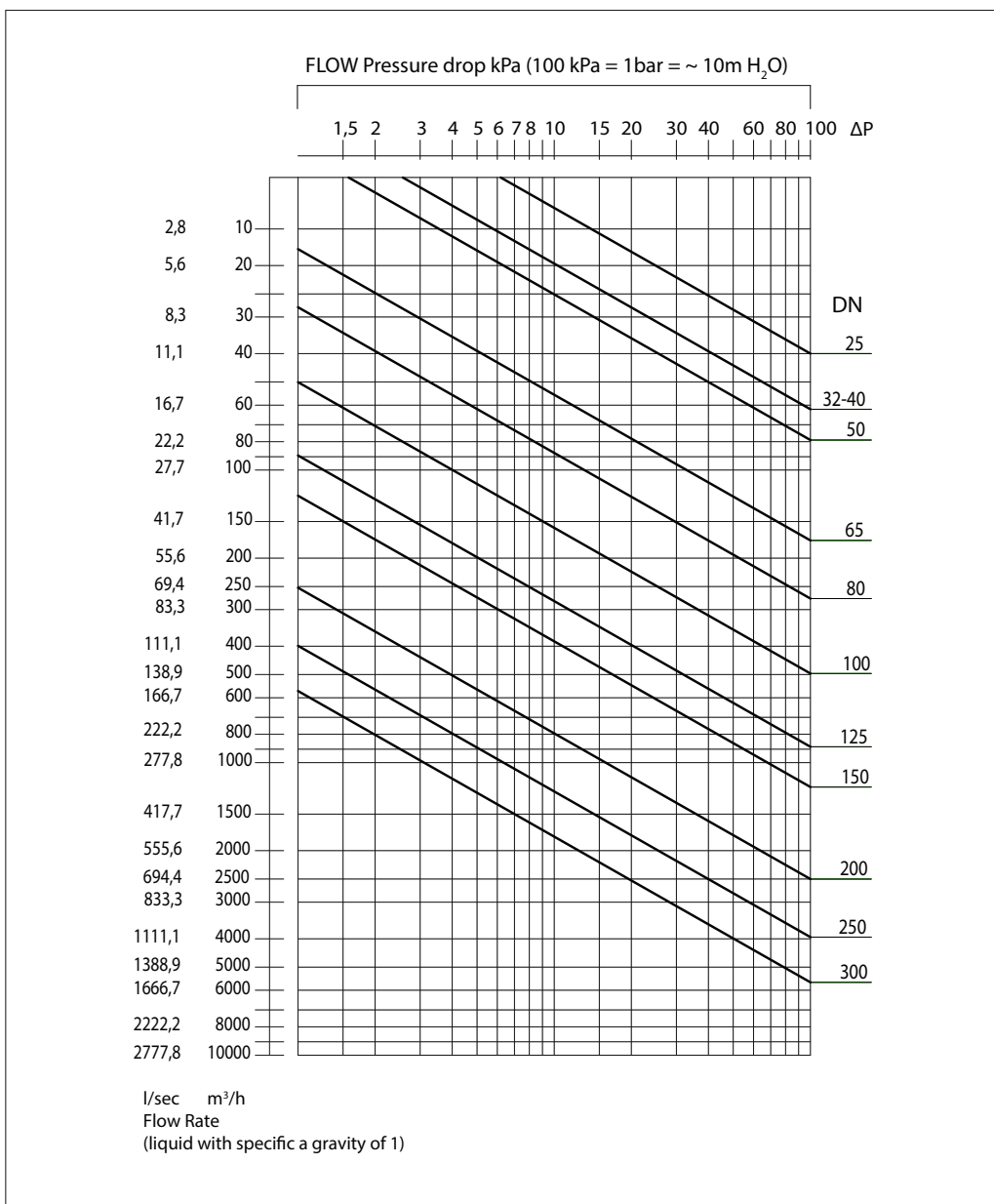


P-T diagram



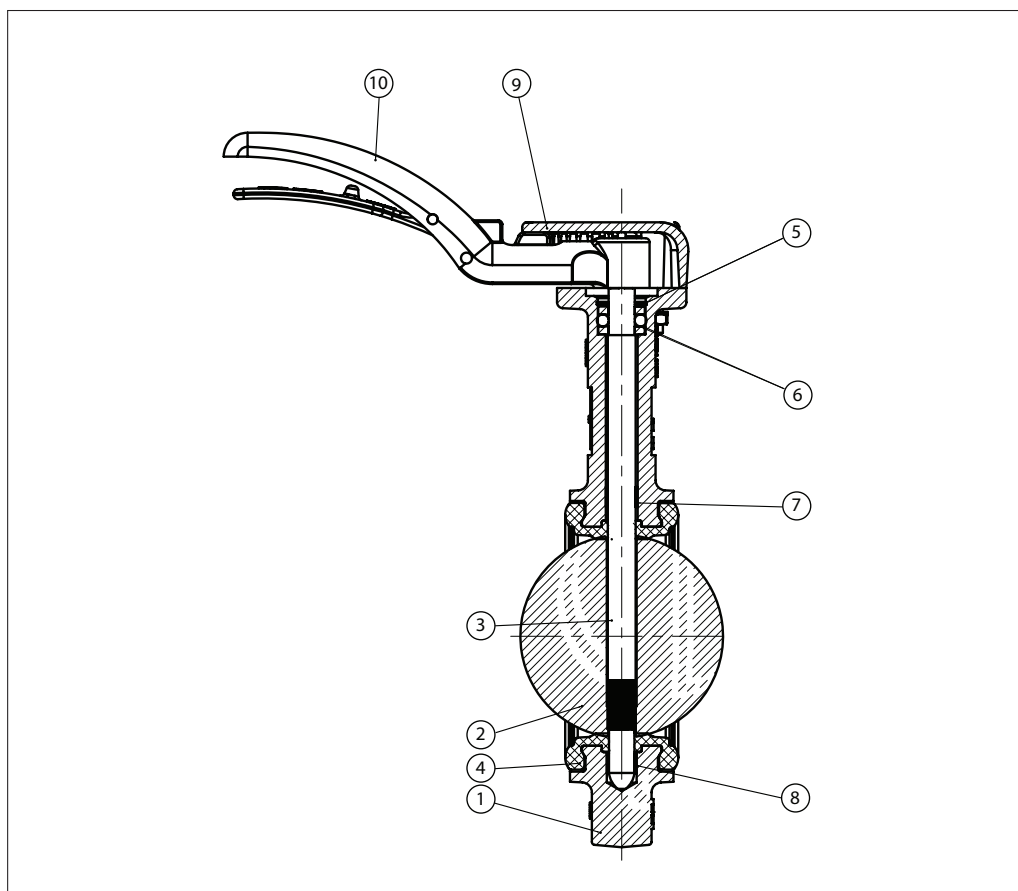
Headloss diagram

For water at 20°C



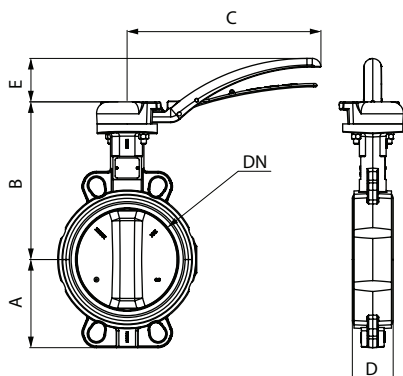
Design

- 1. Body
- 2. Disc
- 3. Shaft
- 4. Liner
- 5. Circlip
- 6. O-ring
- 7. Upper guide bush
- 8. Lower guide bush
- 9. Cap
- 10. Hand lever



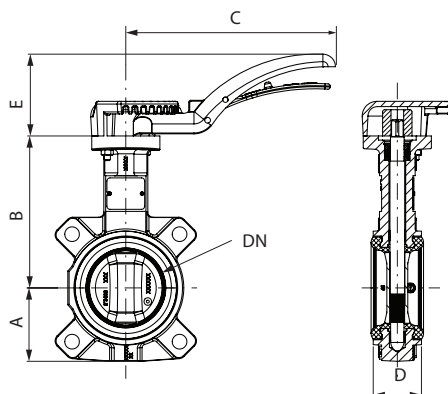
Dimensions

VFY-WH

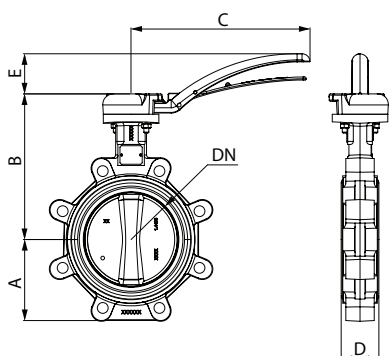


DN	A	B	C	D	E	Weight (kg)
	mm					VFY-WH
25	50	158	200	33	45	2.3
32/40	57	163	200	33	45	2.4
50	62	169	200	43	45	3.3
65	70	178	200	46	45	3.6
80	89	184	200	46	45	4.0
100	106	208	200	52	45	6.3
125	120	223	290	56	65	7.5
150	131	236	290	56	65	8.5
200	165	258	290	60	65	12.2
250	196	266	450	68	46	23.7
300	238	336	450	79	86	28.2

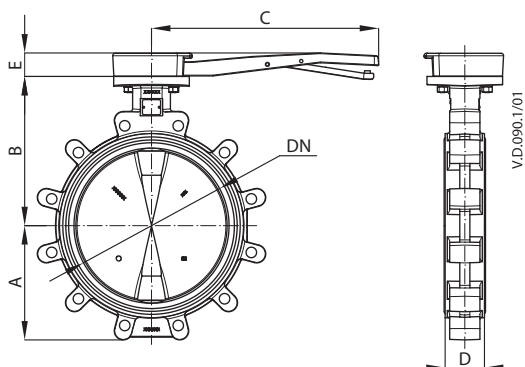
VFY-LH



DN	A	B	C	D	E	Weight (kg)
	mm					VFY-LH
32/40	57	163	200	33	45	2.8
50	62	169	200	43	45	3.7
65	70	178	200	46	45	4.1



DN	A	B	C	D	E	Weight (kg)
	mm					VFY-LH
80	89	184	200	46	45	5.1
100	106	208	290	52	65	7.6
125	120	223	290	56	65	10.0
150	131	236	290	56	65	11.0
200	162	290	290	60	98	17.2



DN	A	B	C	D	E	Weight (kg)
	mm					VFY-LH
250	198	266	450	68	46	29.8
300	227	290	450	77	46	37.6



Danfoss A/S

Heating Segment • heating.danfoss.com • +45 7488 2222 • E-Mail: heating@danfoss.com

Danfoss can accept no responsibility for possible errors in catalogues, brochures and other printed material. Danfoss reserves the right to alter its products without notice. This also applies to products already on order provided that such alterations can be made without subsequential changes being necessary in specifications already agreed. All trademarks in this material are property of the respective companies. Danfoss and all Danfoss logotypes are trademarks of Danfoss A/S. All rights reserved.