

Data Sheet

Danfoss Link™ DBR Boiler Relay with ESM-11 temperature sensor

Application



ESM-11

The *Danfoss Link™* DBR boiler relay is a device for turning gas and oil boilers ON / OFF, depending on heating demands.

The *Danfoss Link™* DBR must in applications with bypass valve such as AVDO, be installed in combination with the ESM-11 temperature sensor (included inside the box) for turning the boiler ON/OFF based on heating demand and water temperature in return pipe for running the system at optimal energy efficiency.

The ESM-11 temperature sensor has a spring contact surface to ensure a good heat transfer on pipes of all sizes. The ESM-11 temperature sensor is a two-wire device.

The *Danfoss Link™* DBR boiler relay is a mains powered device and will act as a repeater in order to improve the wireless performance of the *Danfoss Link™* network.

The DBR boiler relay is part of the *Danfoss Link™* system, which is used for wireless linking and controlling of heating systems in residential and light commercial buildings.

Ordering

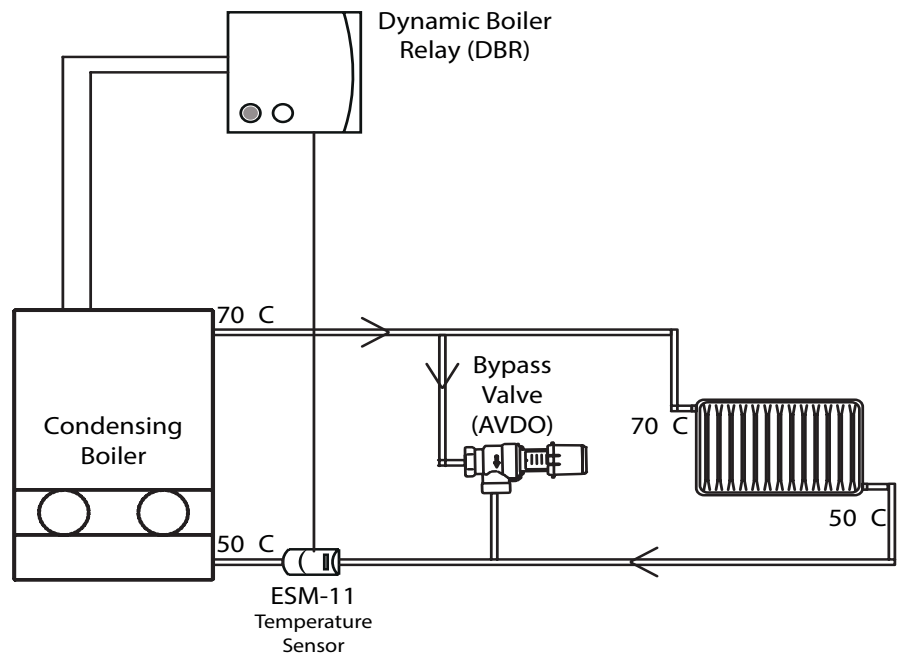
Product	Code no.
<i>Danfoss Link™</i> DBR boiler relay	014G0279
ESM-11 Replacement temperature sensor	087B1165
Plastic ties for ESM-11 (25 pcs)	087B1167

Technical Data

Danfoss Link™ DBR	Specifications
Operation voltage	230 V~, 50 Hz
Standby consumption	1.6 W
Load	3 A resistive 1 A inductive
Rated impulse	2.5 kV
Switching	Type 1B
Regulation	ON / OFF
Ambient temperature	0 °C to 45 °C
Transmission frequency	Wireless Z-wave 868.42 MHz
Transmission range in normal buildings	Up to 30 m
Transmission power	Max. 1 mW
Pollution situation	Degree 2
Ball pressure test	75 °C
Software classification	Class A
Software Version	4.1.0 or higher
IP class	40
Dimensions	84 x 84 x 30 mm

ESM-11	Specifications
Temperature range	0-100 °C
Enclosure IP class	IP 32
Time constant	3 s
Materials	Cover: ABS Base: PC (polycarbonate)
Electrical connection	Terminal block for 2 wires in base part
Mounting	Clamp for tube DN 15-65 supplied
Dimensions	28x 26 x 55 mm

Installation



In installations with bypass using AVDO, remember to mount and wire the ESM-11 Temperature Sensor included in the pack.

Figure 1

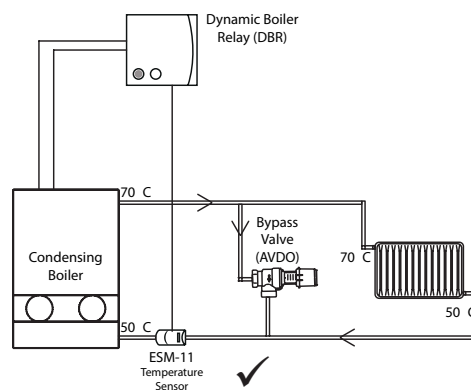
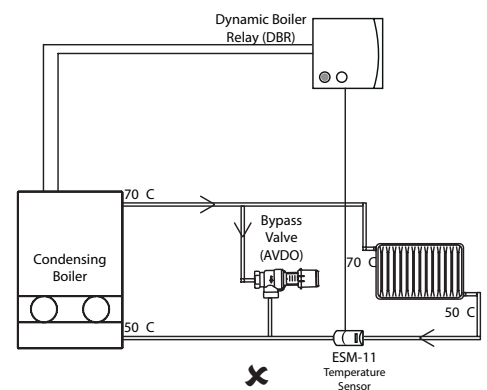
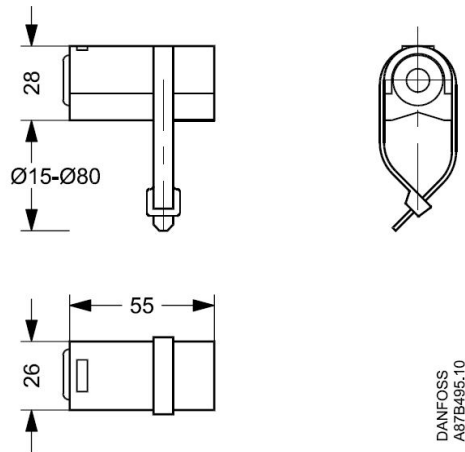
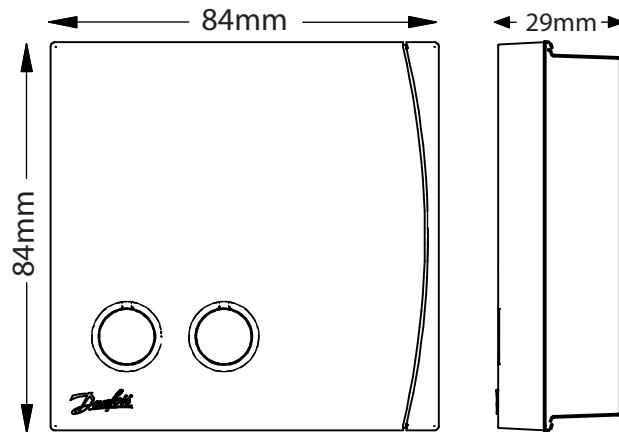


Figure 2

**Note:**

- The ESM-11 Temperature Sensor needs to be mounted on the return pipe.
- Mount the ESM-11 Temperature Sensor in the bypass circuit (figure 1) and not outside of the circuit (figure 2). Pay attention that the ESM-11 must be outside the circuit of an eventual storage tank.

Dimensions



Danfoss A/S
Residential Heating
Haarupvaenget 11
8600 Silkeborg
Denmark
Phone: +45 7488 8000
Fax: +45 7488 8100
Email: heating.solutions@danfoss.com
www.heating.danfoss.com

Danfoss can accept no responsibility for possible errors in catalogues, brochures and other printed material. Danfoss reserves the right to alter its products without notice. This also applies to products already on order provided that such alterations can be made without consequential changes being necessary in specifications already agreed. All trademarks in this material are property of the respective companies. Danfoss and the Danfoss logotype are trademarks of Danfoss A/S. All rights reserved.