

## Data sheet

# Actuator for three point control

## AMV 150

## Description



Actuator is primarily designed to regulate valve in the respond to the demand of a controller in District heating, heating, floor heating, solar heating, zone heating, comfort cooling, ventilating and air conditioning systems etc.

Actuator AMV 150 can be controlled by electronic controllers with 3-point output.

Actuator can be used in combination with:

- Valve types VS 2 (DN 15 only) and VMV
- Self acting flow controller AVQM (DN15 only)

**Features:**

- Self stroking feature: automatic adaptation of stroke to valve's end -position - reduces commissioning time
- Manual operation
- Position indication
- LED signalling (below the cover)
- No tool mounting
- Supplied with 1.5 m cable
- Suitable for high temperatures

**Main Data:**

- Nominal voltage  
24 VAC, 50/60 Hz  
230 VAC, 50/60 Hz
- Control input signal: 3 point
- Force: 250 N
- Stroke: 5 mm
- Speed: 24 s/mm
- Max. medium temperature: 150 °C

## Ordering


**Actuator**

Type	Supply voltage	Speed	Code No.
AMV 150	24 VAC	24 s/mm	<b>082G3089</b>
	230 VAC		<b>082G3090</b>

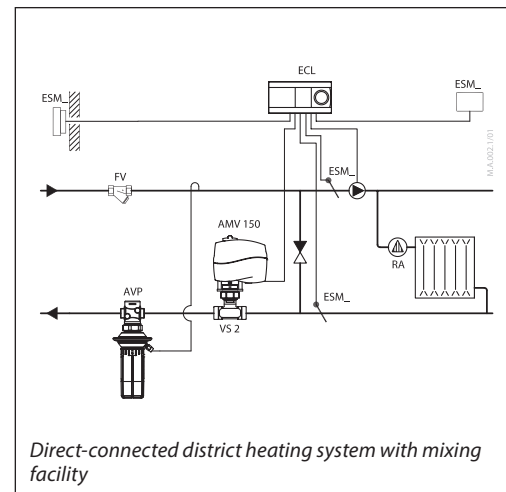
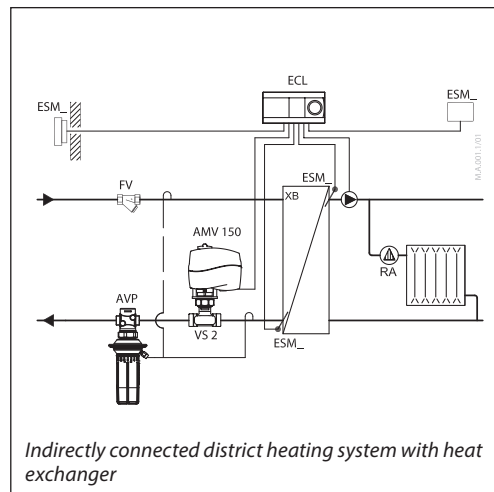
**Accessories**

Type	Supply voltage	Length	Code No.
Cable	24 VAC	5 m	<b>082H8052</b>
	230 VAC		<b>082H8053</b>

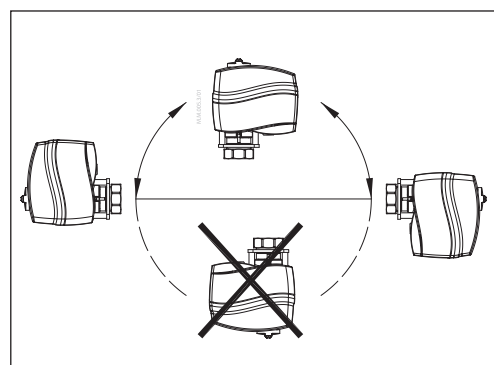
## Technical data

Power supply	V	24 or 230 AC; +10 % to -15 %
Power consumption	VA	1 (24 V), 8 (230 V)
Frequency	Hz	50 /60
Control input		3-point
Closing force	N	250
Max. stroke	mm	5
Speed	s/mm	24
Max. medium temperature		150
Ambient temperature	°C	0 ... 55
Storage and transport temperature		-40 ... +70
Ambient humidity		95 % r.h., non-condensing
Protection class		II
Grade of enclosure		IP 54
Weight	kg	0.34
 - marking in accordance with standards		Low Voltage Directive (LVD) 2014/35/EU: EN 60730-1, EN 60730-2-14 Electromagnetic Compatibility Directive (EMC) 2014/30/EU: EN 61000-6-2, EN 61000-6-3

Application principles



Installation



**Mechanical**

The actuator should be mounted with the valve stem in either horizontal position or pointing upwards.

**Electrical**

**Important:** It is strongly recommended that the mechanical installation is completed before the electrical installation.

Each actuator is supplied with the connecting cable for the controller.

Disposal

The actuator must be dismantled and the elements sorted into various material groups before disposal.

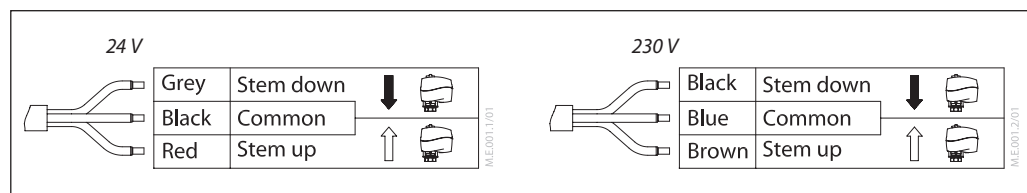
Commissioning

Complete the mechanical and electrical installation (see instructions) and perform the necessary checks and tests:

- Turn on the power
- Set the appropriate control signal and check that the valve stem direction is correct for the application.

The unit is now fully commissioned.

Wiring

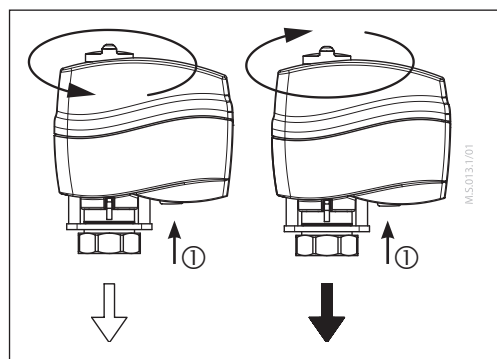


Manual operation

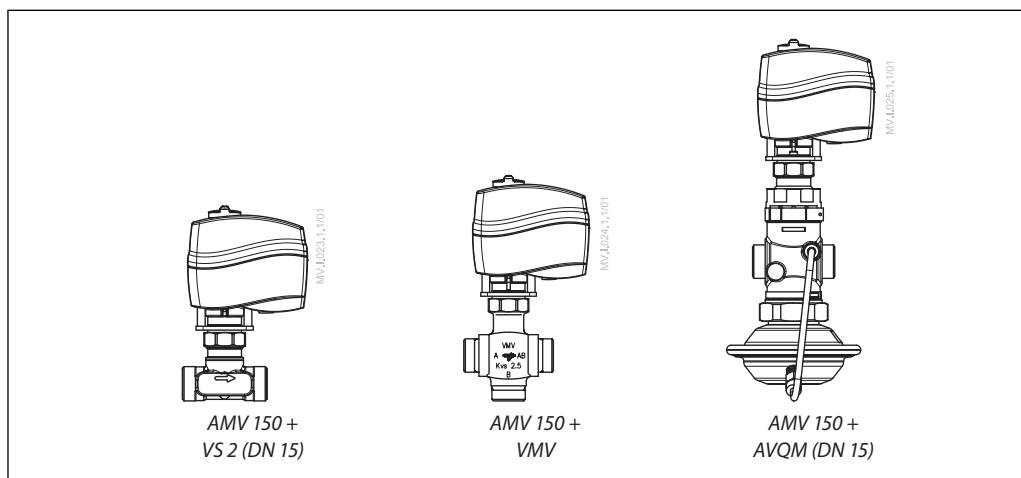
① Press and hold the button (on the bottom side of the actuator) during manual operation.

**Remark:**

A "click" sound after energizing the actuator means that the gear wheel has jumped into normal position.



Actuator - valve combinations



Dimensions

