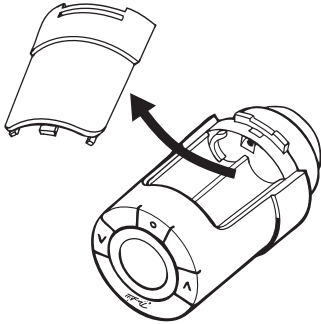
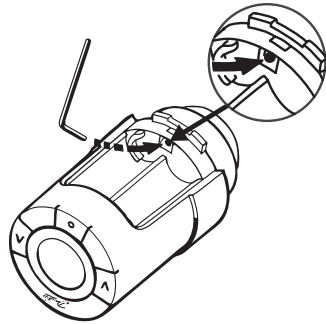


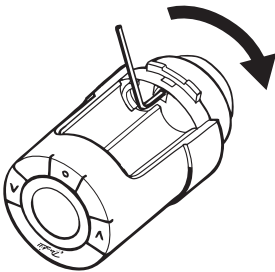
Removing an adapter from a *living* thermostat



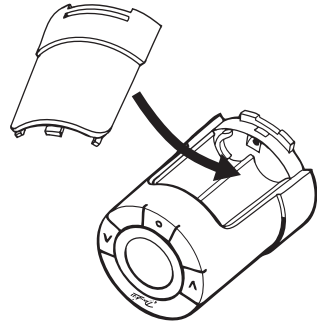
1. Remove the battery cover.



2. Insert a small hex key or similar into the locking hole to lock the adapter ring.



3. With the hex key locking the adapter ring, turn the adapter in the shown direction.



4. Put back the battery cover.
Mount the *living* thermostat on another valve adapter according to the instructions supplied with the adapter.